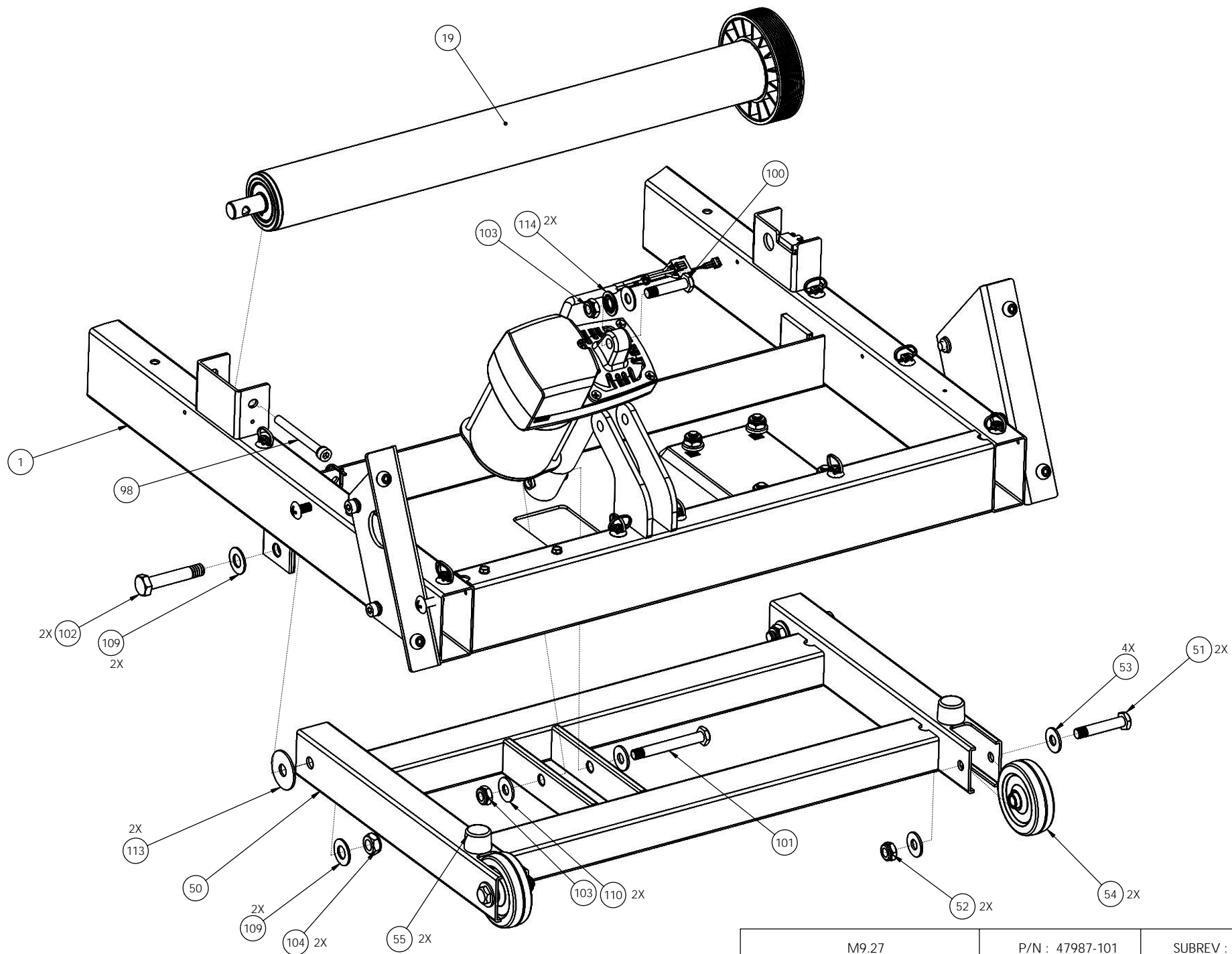


DISPLAY/CONSOLE COMPONENTS
SHEET 7

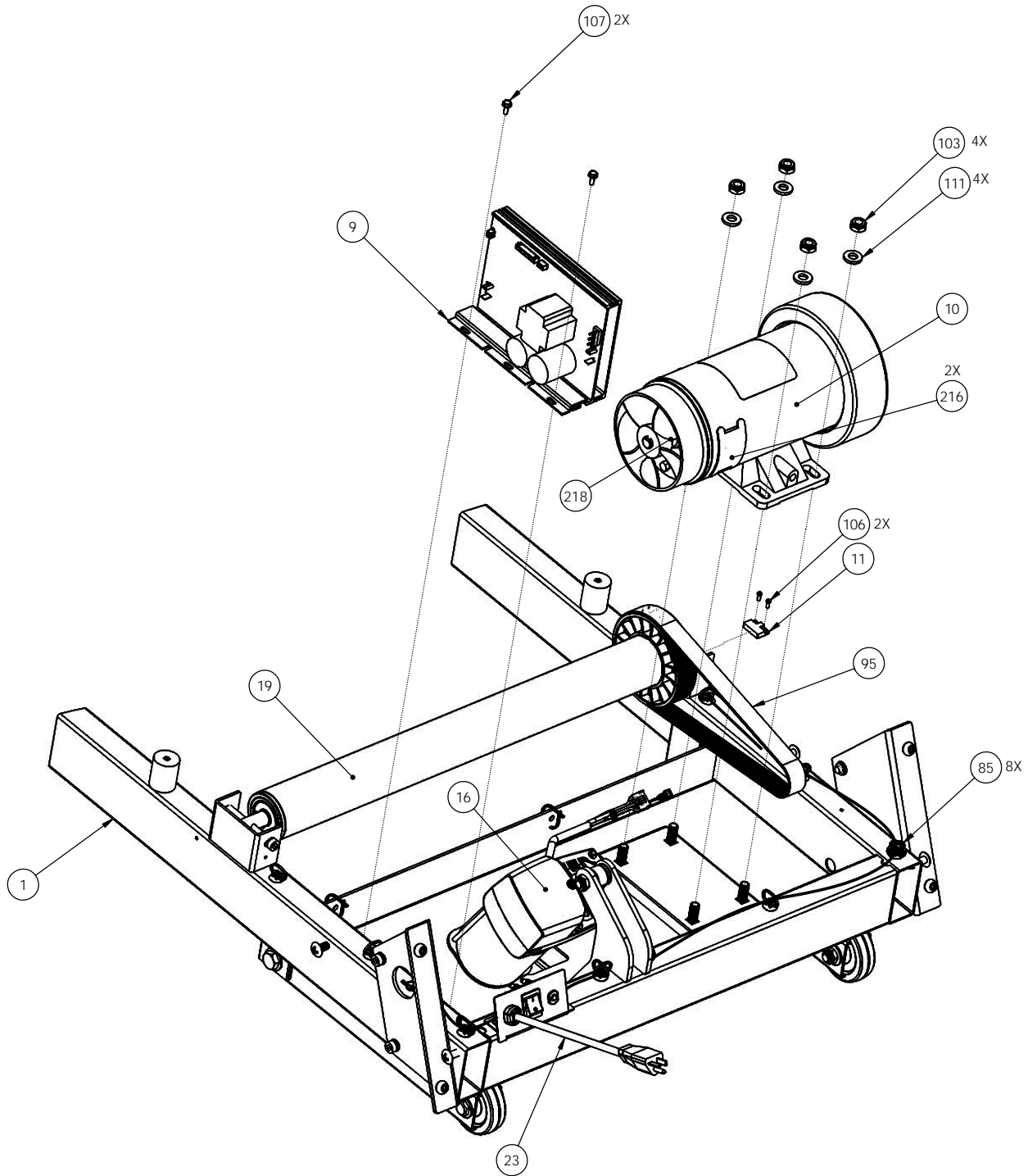
TARGAS/HANDRAIL
SHEET 8

LOWER TREAD COMPONENTS
SHEETS 2-6

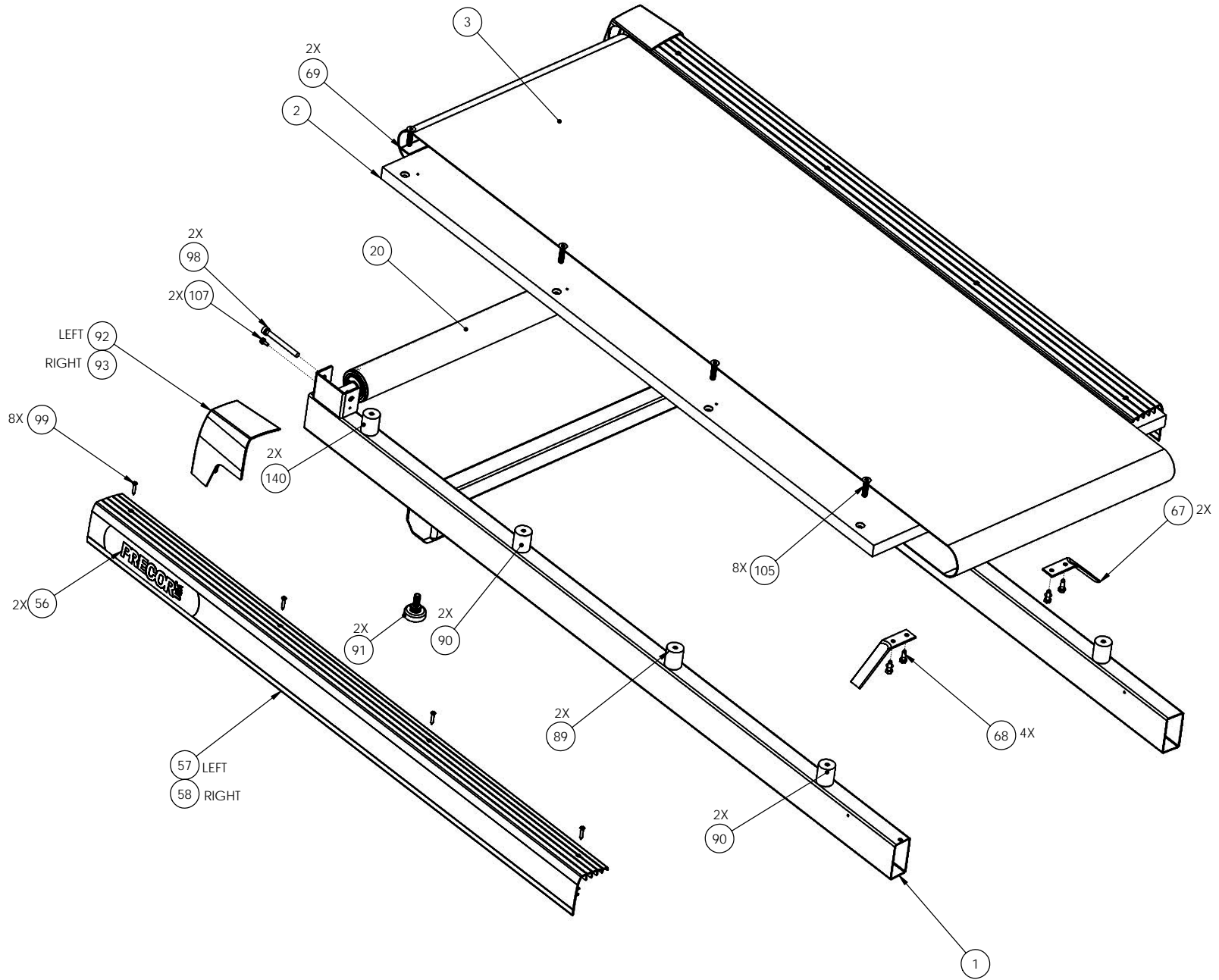
M9.27	P/N : 47987-101	SUBREV : F
DRAWN BY : GRANADOSIN	DATE : 10.27.05	SHEET 1 OF 8



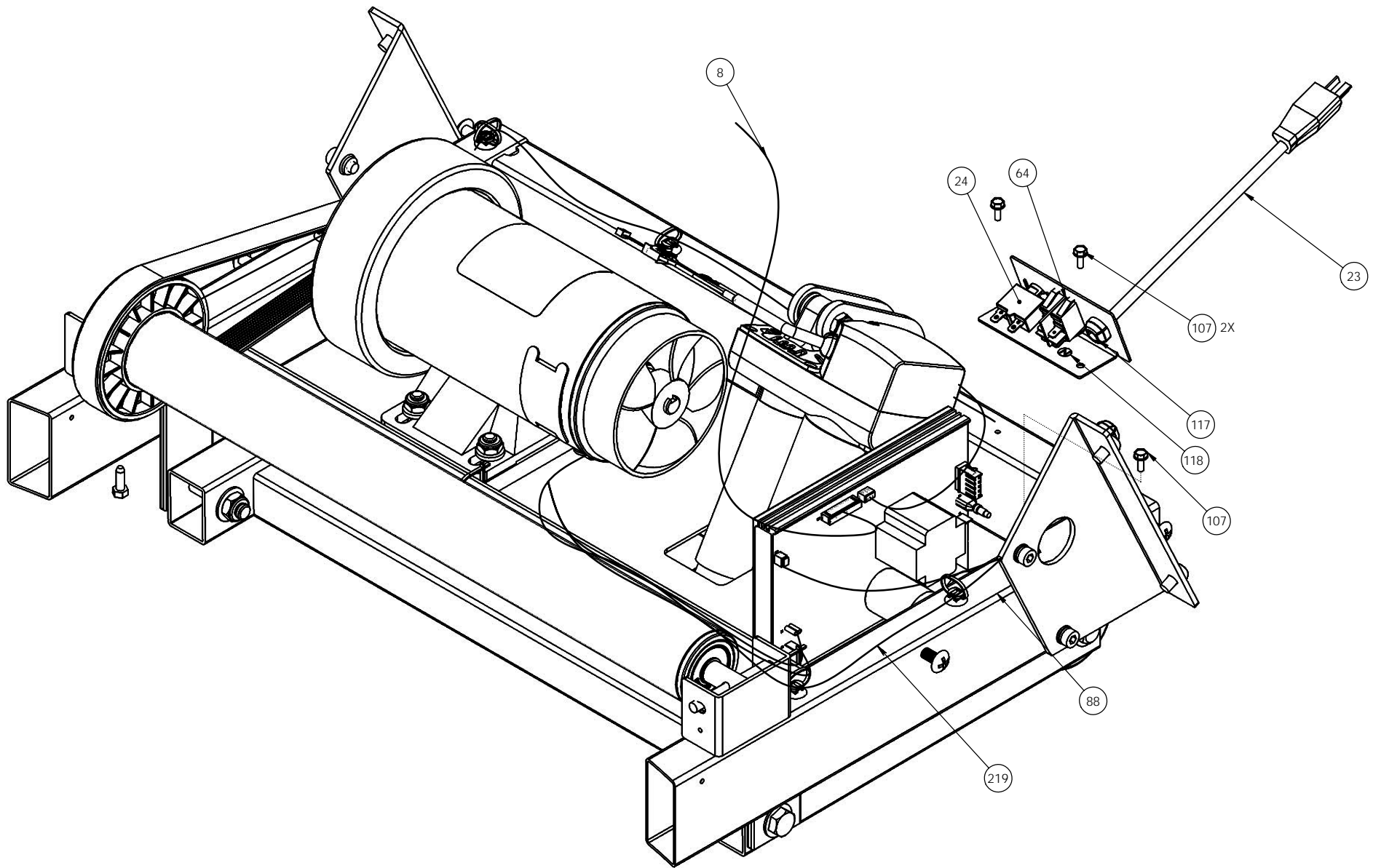
M9.27	P/N : 47987-101	SUBREV : F
DRAWN BY : GRANADOSIN	DATE : 10.27.05	SHEET 2 OF 8



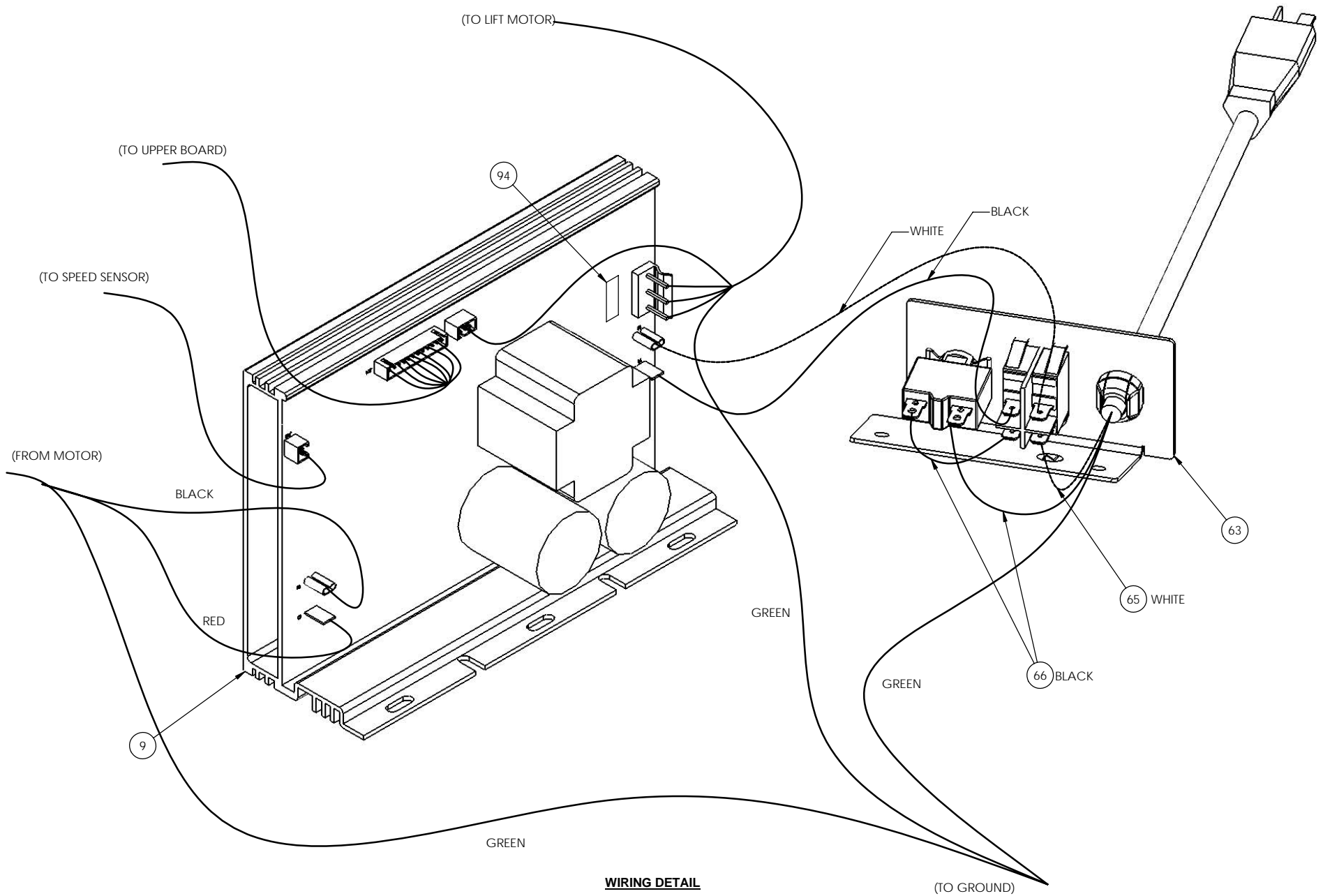
M9.27	P/N : 47987-101	SUBREV : F
DRAWN BY : GRANADOSIN	DATE : 10.27.05	SHEET 3 OF 8



M9.27	P/N : 47987-101	SUBREV : F
DRAWN BY : GRANADOSIN	DATE : 10.27.05	SHEET 4 OF 8

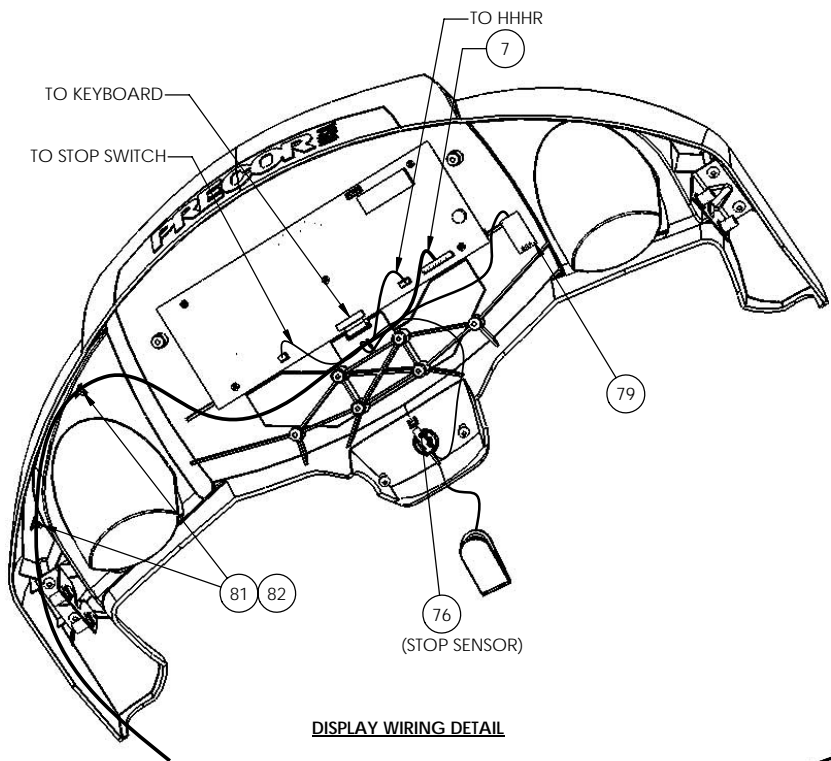


M9.27	P/N : 47987-101	SUBREV : F
DRAWN BY : GRANADOSIN	DATE : 10.27.05	SHEET 5 OF 8

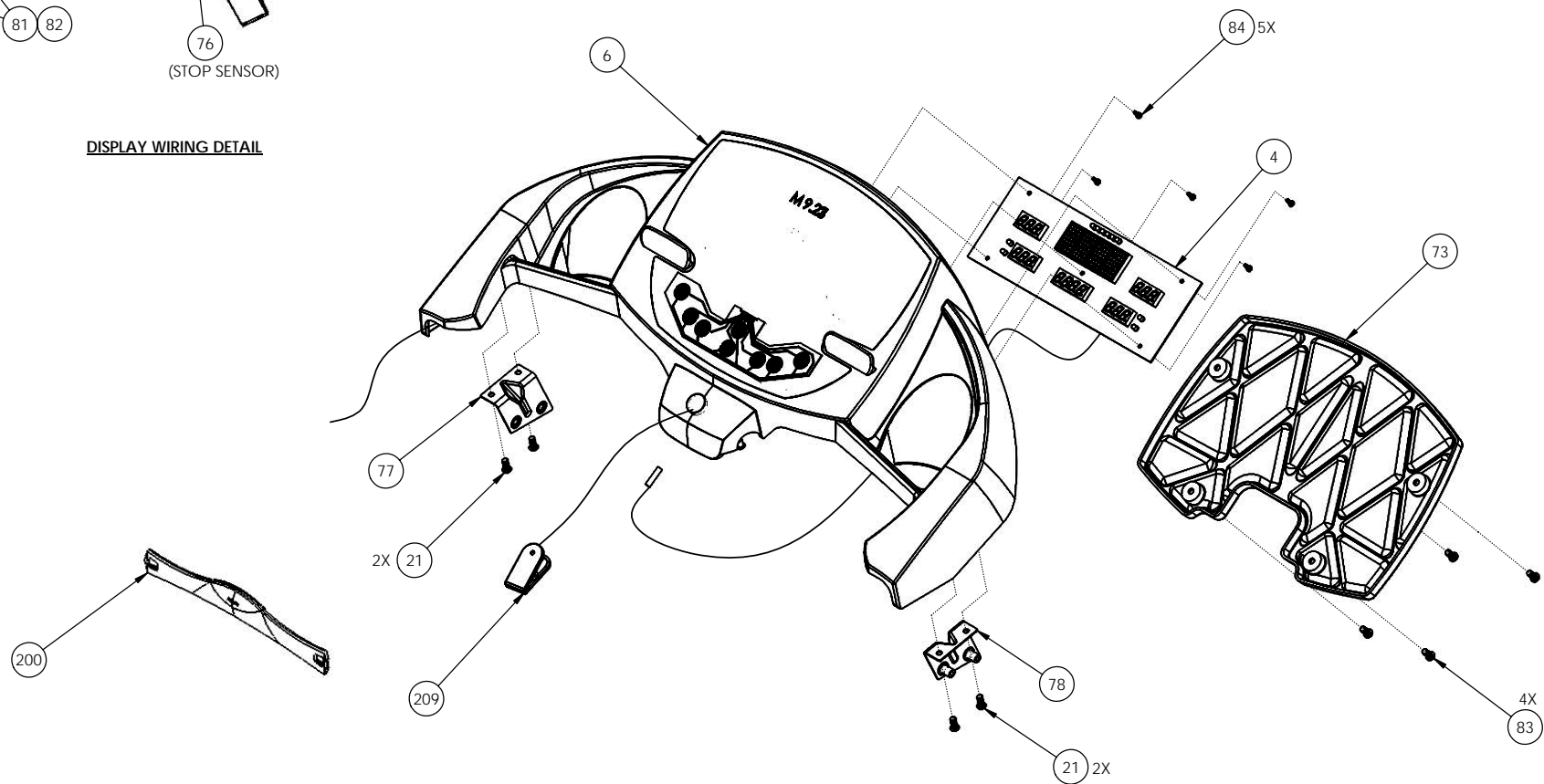


WIRING DETAIL

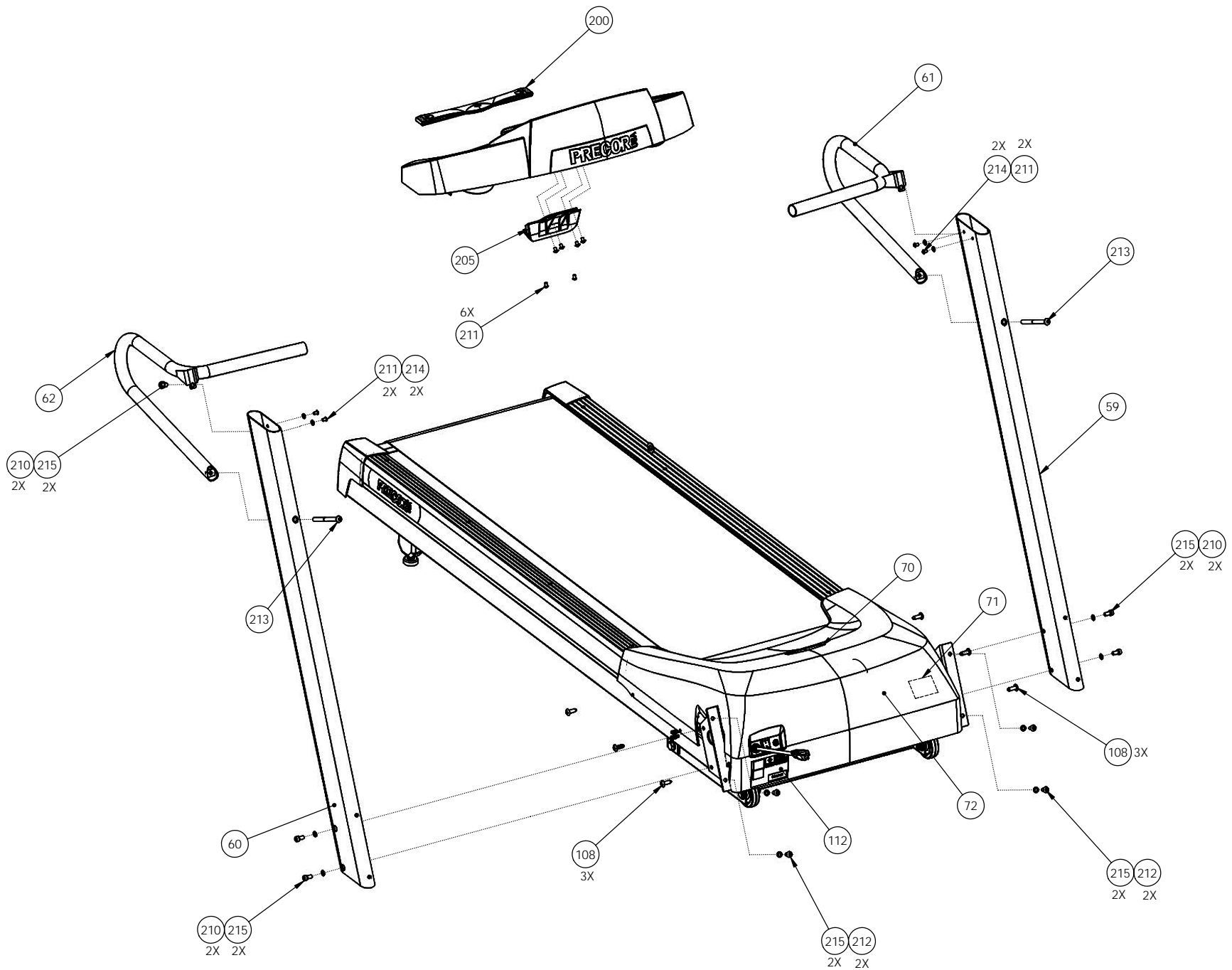
M9.27	P/N : 47987-101	SUBREV : F
DRAWN BY : GRANADOSIN	DATE : 10.27.05	SHEET 6 OF 8



DISPLAY WIRING DETAIL



M9.27	P/N : 47987-101	SUBREV : F
DRAWN BY : GRANADOSIN	DATE : 10.27.05	SHEET 7 OF 8



M9.27	P/N : 47987-101	SUBREV : F
DRAWN BY : GRANADOSIN	DATE : 10.27.05	SHEET 8 OF 8

9.27 (serial code AA62, AABN)

Part Number	Description	Bubble Number
AT042025-101	WELDMENT, FRAME	1
AT180001-103	DECK, TAIWAN	2
AT170002-103	RUNNING BELT, SIEGLING E/5 W/ SILIC	3
AT150003-103	UPPER BOARD W/SOFTWARE, M9.27 VERSI	4
48012-722	PROM, PGMD, M9.27, UPPER	5
59082-101	ASSY, DISPLAY, 9.27	6
AT190001-101	UPPER SIGNAL CABLE	7
AT190002-101	LOWER SIGNAL CABLE	8
AT150001-102	LOWER CONTROL BOARD	9
59080-101	KIT, MOTOR REPLACEMENT, CHI HUA	10
AT190003-101	SPEED SENSOR	11
AT140002-101	INCLINE MOTOR (LIFT ACTUATOR)	16
AT210001-101	FRONT ROLLER	19
AT210002-101	REAR ROLLER	20
AT160001-101	POWER CORD	23
AT190007-101	BREAKER	24
AT042026-102	LIFT PLATFORM, WELDMENT	50
HMJN010-055	SCREW, HEX HD, M10 X 1.5 X 55L, BEC	51
KFJN010-011	LOCK NUT, NYLON, M10, BEC	52
WBJN038-006	WASHER, SAE, 3/8, BEC	53
AT060638-101	TRANSPORT WHEEL, LIFT	54
AT050648-101	CUSHION, LIFT	55
47898-102	SIDE TRIM LABEL	56
AT200010-101	ASSY, DECK SIDE TRIM, LEFT	57
AT200009-101	ASSY, DECK SIDE TRIM, RIGHT	58
AT012911-101	LEFT TARGA	59
AT012912-101	RIGHT TARGA	60
AT042028-101	LEFT HANDLE WELDMENT	61
AT042029-101	RIGHT HANDLE WELDMENT	62
AT022174-101	POWER PLATE	63
AT190006-101	POWER SWITCH	64
AT190008-101	POWER CABLE, WHITE	65
AT190009-101	POWER CABLE, BLACK	66
AT022175-101	BELT TRACKER	67
PAKCN006-019	SCREW, TYPE AB, HEX HD, #6.4 X 19L,	68
AT060639-101	DECK, FINGER GUARD	69
47899-102	GFX, LABEL	70
47900-101	WIRING DIAGRAM, LABEL	71
AT200003-101	ASSY, HOOD	72
AT060634-101	CONSOLE BACK PLATE	73
AT190004-101	EMERGENCY STOP SENSOR	76
AT200001-101	ASSY, LEFT CONSOLE BRACKET	77
AT200002-101	ASSY, RIGHT CONSOLE BRACKET	78
AT200014-101	ASSY, HEART RATE RECEIVER	79
12540-101	STICK-ON ZIP TIE ANCHOR (HC-100)	81
10123-111	CABLE TIE, CV-075	82
TEJN006-015	SCREW, BUT HD, M6 X 1.0 X 15L, BEC	83
PAHJN004-008	SCREW, TRS, PAN HD, PHIL, M4.2 X 8L	84
12540-102	CABLE TIE ANCHOR (PHC-5)	85
10123-112	CABLE TIE, (CV-120L)	86

10123-111	CABLE TIE, CV-075	87
47897-101	GROUND LABEL	88
AT050646-101	GFX CUSHION RED	89
AT050647-101	GFX CUSHION BLUE	90
AT050649-101	FOOT PAD	91
AT060636-101	LEFT ENDCAP	92
AT170001-101	DRIVE BELT	95
CECKN006-012	SET SCREW	96
ABKN013-001	RETAINING RING	97
CEJN008-080	SCREW, SOC HD CAP, M8 X 1.25 X 80L,	98
DKJN004-025	SCREW, WOOD, FLAT HD, PHIL, #4 X 25	99
HMJN010-045	SCREW, HEX HD, M10 X 1.5 X 45L, BEC	100
HMJN010-080	SCREW HEX HD, M10 X 1.5 X 80L, BEC	101
HMJN012-065	SCREW, HEX HD, M12 X 1.75 X 65L, BE	102
KFJN010-011	LOCK NUT, NYLON, M10, BEC	103
KFJN012-014	LOCK NUT, NYLON, M12, BEC	104
MAKJN008-035	SCREW, FLAT HD, SOCKET, M8 X 1.25 X	105
MMJN003-008	SCREW, PAN HD, PHIL, M3 X .5 X 8L,	106
PAHJN004-013	SCREW, TEK, M4.7 X 13L, BEC	107
PAJJN008-025	SCREW, TYPE AB, TRUSS HD, PHIL, #8	108
WBJN050-010	WASHER, SAE, 1/2, BEC	109
WBJN038-006	WASHER, SAE, 3/8, BEC	110
WCJN038-008	WASHER, FLAT, 3/8 X 3T, BEC	111
47933-102	POWER INLET LABEL	112
AT060642-101	FLAT WASHER, PVC 40 X 12.5 X 2.0T	113
AT060641-101	FLAT WASHER, PVC, 24.5 X 10.5 X 1.5	114
47924-101	PLUG, HP-101	115
AT060637-101	RIGHT ENDCAP	116
AT060640-101	WIRE CLIP, SR-7R1	117
47896-101	NEUTRAL LABEL	118
AT050591-101	GFX CUSHION, BLACK	140
AT190012-101	HEART RATE CHEST STRAP	200
47902-101	HARDWARE KIT, M9.27	201
47903-101	BAG 1, M9.27	202
47905-101	BAG 2, M9.27	203
47906-101	BAG 3, M9.27	204
AT060632-101	NOSE CLAMP	205
10186-112	WRENCH, ALLEN 4MM	206
10188-101	WRENCH, ALLEN 6MM, T-HANDLE	207
10186-117	WRENCH, ALLEN 5MM	208
AT160002-101	SAFETY LANYARD	209
CEJN008-015	SCREW, SOC HD CAP, M8 X 1.25 X 15L,	210
TEJN006-015	SCREW, BUT HD, M6 X 1.0 X 15L, BEC	211
TEJN008-015	SCREW, BUT HD, M8 X 1.25 X 15L, BEC	212
TEJN008-130	SCREW, BUT HD, M8 X 1.25 X 130L, BE	213
WBLJN006-001	WASHER, FLAT, 13 X 6 X 1T, BEC	214
WBLJN008-001	WASHER, FLAT, 14 X 8 X 1.6T, BEC	215
48007-101	MOTOR BRUSHES, M9.23/M9.27 (QTY 2 P	216
AT190013-101	MOTOR BRUSH, CHI HUA, MK	216
48008-101	SPRINGS, MOTOR BRUSHES, M9.23/M9.27	217
AT190014-101	MOTOR GROUND BRUSH, CHI HUA, MK	218
AT190015-101	GROUND WIRE, MOTOR, CHI HUA	219

